

Royal Free Hospital

Site Wide Steam Upgrades

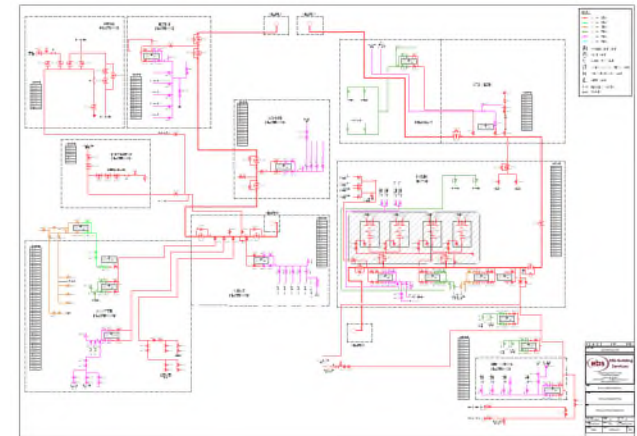


Ellis Building  
Services

The scope of works was for alterations to the steam ring main within Plant Rooms and across the site.

In essence we provided a secondary steam bypass with double isolation at each end and relocated steam branches from the existing main header onto the new header, allowing safe shutdown and isolation. We were also tasked with providing new cad drawings for the full services along with asset tagging of all steam valves.

EBS take pride in working closely with our clients to achieve both the clients objectives and timeframes and was happy to have achieved both during these works.



Royal Free London   
NHS Foundation Trust